

TONONE

technical specifications

BEADS 3 in line

Design by Anton de Groof, 2018

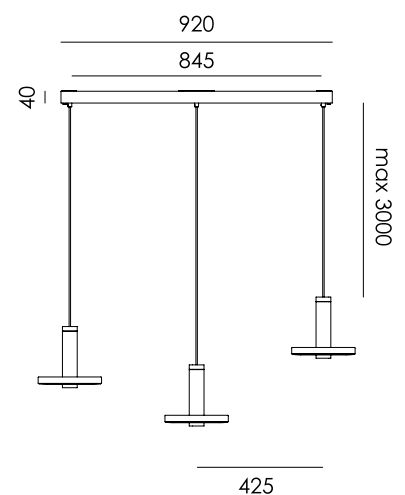


With the Beads collection Tonone introduces a series of lamps designed to fit in every environment. The modest look of the armature starts shining when it comes to functionality. With its 360 degrees dimmable Led range, the Beads is a solution for every situation. On top of that the Beads is available as a pendant, a ceiling-, wall-, floor- or table lamp. With the Beads Tonone illustrates a next step in innovating lighting concepts, but also sticks to the basic design signature of this brand.

Type	Pendant
Environment	Indoor
Material	Aluminum
Cord length	Max. 3000 mm
Weight	3 kg
Voltage	220–240 V
Watt	13 Watt
IP	20
Lightsource	Integrated LED source
Lumen	3 × 1350
Kelvin	2700 K
CRI	90
Dimmable	Phase cut dimmable

Packaging

Weight	6,2 kg
Length	100 cm
Width	27 cm
Height	42 cm



TONONE

technical specifications



Article number



smokey black

3020

TONONE

technical specifications

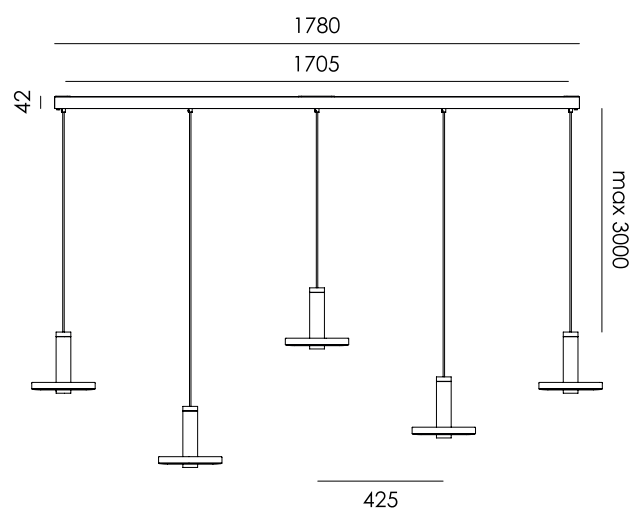
BEADS 5 in line

Design by Anton de Groof, 2018



With the Beads collection Tonone introduces a series of lamps designed to fit in every environment. The modest look of the armature starts shining when it comes to functionality. With its 360 degrees dimmable Led range, the Beads is a solution for every situation. On top of that the Beads is available as a pendant, a ceiling-, wall-, floor- or table lamp. With the Beads Tonone illustrates a next step in innovating lighting concepts, but also sticks to the basic design signature of this brand.

Type	Pendant
Environment	Indoor
Material	Aluminum
Cord length	Max. 3000 mm
Weight	5 kg
Voltage	220-240 V
Watt	13 Watt
IP	20
Lightsource	Integrated LED source
Lumen	5 × 1350
Kelvin	2700 K
CRI	90
Dimmable	Phase cut dimmable



Packaging	
Weight	9,7 kg
Length	186 cm
Width	27 cm
Height	33 cm

TONONE

technical specifications



Article number



smokey black

3010